

# Technical data sheet



## Product features

### Cooking range gas 2x burner ECO without cabinet

<b>Model</b>	<b>SAP Code</b>	00110103
--------------	-----------------	----------



- Device type: Gas unit
- Power consumption of the zone 1 [kW]: 1x burner 3.5 kW
- Power consumption of the zone 2 [kW]: 1x burner 6 kW
- Protection of controls: IPX4
- Material: AISI 304 top plate, AISI 430 cladding

<b>SAP Code</b>	00110103	<b>Power gas [kW]</b>	9.500
<b>Net Width [mm]</b>	400	<b>Type of gas</b>	Natural gas, propane butane
<b>Net Depth [mm]</b>	700	<b>Number of zones</b>	2
<b>Net Height [mm]</b>	330	<b>Power consumption of the zone 1 [kW]</b>	1x burner 3.5 kW
<b>Net Weight [kg]</b>	25.00	<b>Power consumption of the zone 2 [kW]</b>	1x burner 6 kW

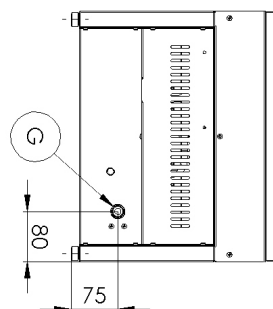
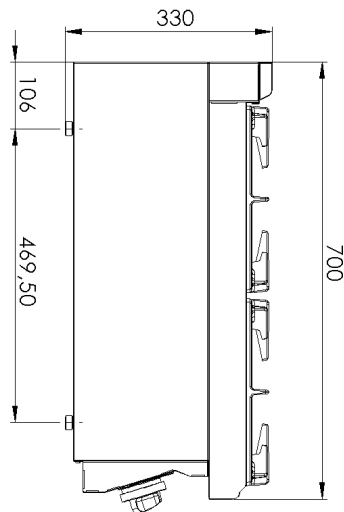
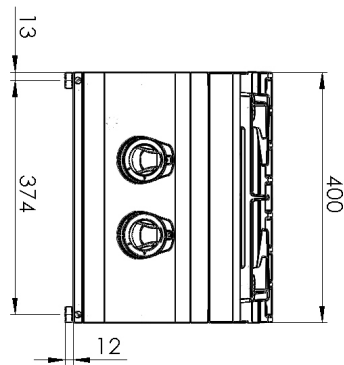
# Technical data sheet



Technical drawing

Cooking range gas 2x burner ECO without cabinet

<b>Model</b>	<b>SAP Code</b>	00110103
--------------	-----------------	----------



# Technical data sheet



## Product benefits

### Cooking range gas 2x burner ECO without cabinet

Model

SAP Code

00110103

1

#### Massive construction of burners

high performance and efficiency  
cast iron burners removable  
long life

- energy saving (perfect combustion)
- time saving for food preparation
- easy maintenance/cleaning

2

#### Hygienic moldings of the top plate

absence of sharp corners and edges (potential places where dirt could stick)  
smooth transitions

- easy quick cleaning

3

#### Degree of protection of the control elements IPX4

maintenance-free system  
resistance to splash water  
long life

- savings on service interventions
- easy cleaning and maintenance of equipment

4

#### All-stainless design

long life  
resistance of a ground steel plate with a thickness of 10 mm

- savings on service interventions
- higher corrosion resistance

5

#### Safety element - thermocouple

safe operation for personnel  
there is no overheating and damage to the thallus  
long life

- savings on service interventions
- easier and faster operation

6

#### Cooking unit for use on a table or on a base

variable use  
the possibility of placement in smaller spaces

- easy handling
- cost savings on substructure

# Technical data sheet



## Technical parameters

### Cooking range gas 2x burner ECO without cabinet

Model	SAP Code
	00110103

**1. SAP Code:**

00110103

**2. Net Width [mm]:**

400

**3. Net Depth [mm]:**

700

**4. Net Height [mm]:**

330

**5. Net Weight [kg]:**

25.00

**6. Gross Width [mm]:**

440

**7. Gross depth [mm]:**

800

**8. Gross Height [mm]:**

390

**9. Gross Weight [kg]:**

30.00

**10. Device type:**

Gas unit

**11. Construction type of device:**

Table top

**12. Power gas [kW]:**

9.500

**13. Type of gas:**

Natural gas, propane butane

**14. Protection of controls:**

IPX4

**15. Material:**

AISI 304 top plate, AISI 430 cladding

**16. Worktop type:**

Molded - comfortable cleaning maintenance

**17. Worktop material:**

AISI 304

**18. Worktop Thickness [mm]:**

1.20

**19. Number of zones:**

2

**20. Power consumption of the zone 1 [kW]:**

1x burner 3.5 kW

**21. Power consumption of the zone 2 [kW]:**

1x burner 6 kW

**22. Grid material:**

Cast iron

**23. Service accessibility:**

Trough the frontal panel

**24. Safety thermocouple:**

Yes

**25. Adjustable feet:**

Yes

**26. Number of burners/hot plates:**

2

**27. Type of gas cooking zones:**

Cast iron burners

**28. Burner type:**

Cast iron, detachable, with internal and external combustion